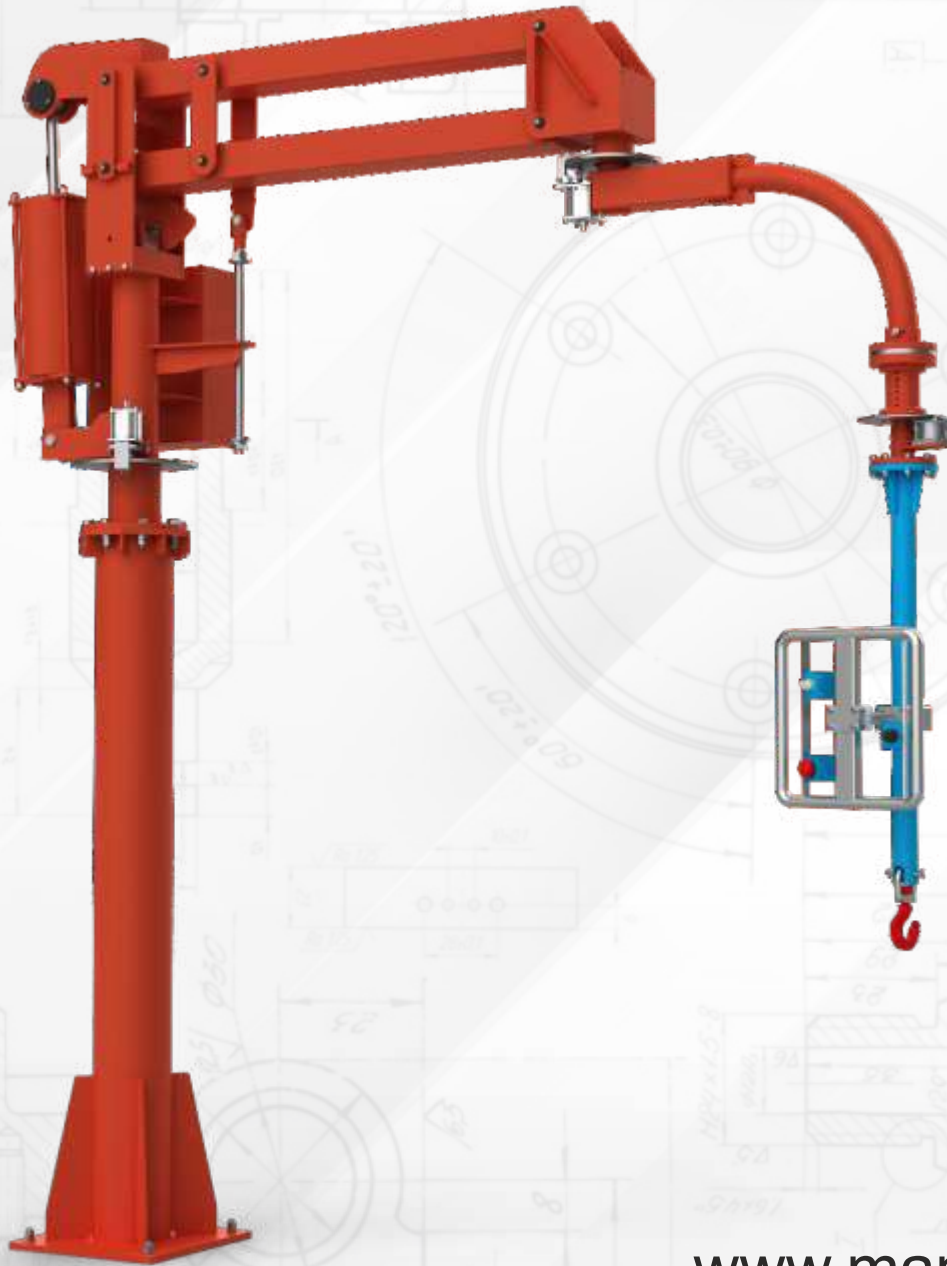




ADAN

Rigid Arm
manipulator

MADE IN
ITALY



www.maniflex.eu

Operating pressure
 7 Bar

Maximum capacity
 450 Kg

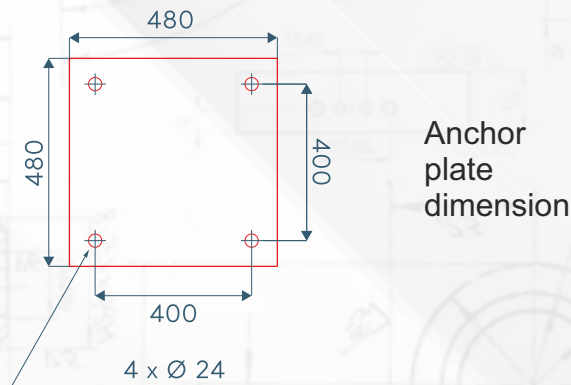
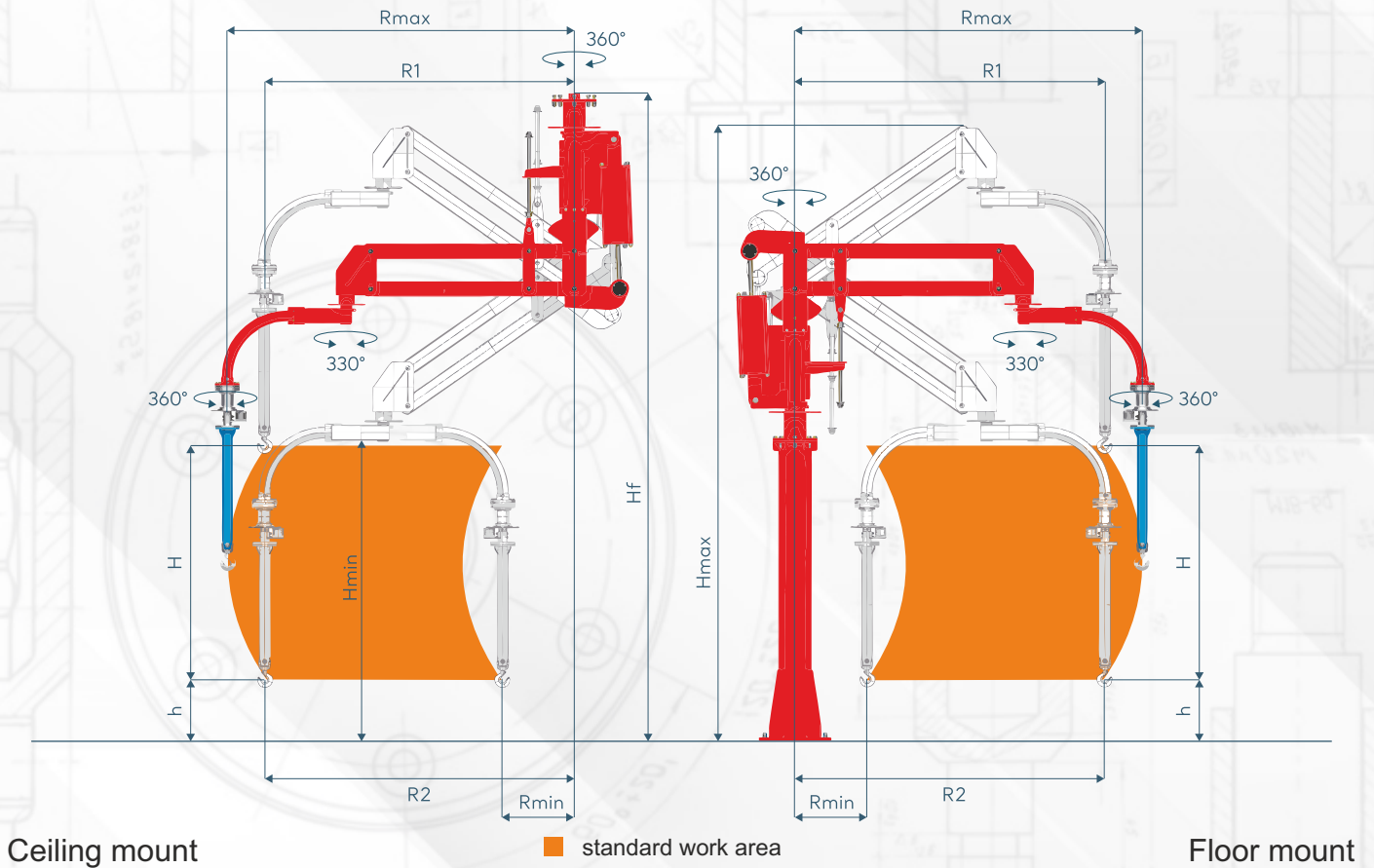
Working radius
 4000 mm

The Maniflex ADAN manipulator is equipped with a robust structure with a rotating arm, which allows the movement of heavy loads in all directions with extreme naturalness and precision.

It can be equipped with customized gripping tools, designed and built according to the specific needs of the industry of use.

Adan is an industrial manipulator that offers various installation options and therefore represents a flexible solution in multiple operating contexts, allowing the optimization of execution times of specific activities.

Technical Parameters



TECHNICAL DATA

ADAN

		100	150	215	300	450
Max. capacity / kg		100	150	215	300	450
Max. working radius / mm	Rmax	4000	3500	3000	2500	2000
Min. working radius / mm	Rmin	1150	1000	850	755	580
Vertical lift / mm	H	2450	2400	2000	1700	1300
Lowest vertical lifting capacity / mm	h	200	200	200	200	200
Maximum height / mm	Hmax	4610	4420	4225	4070	3860
Max. ceiling height / mm	Hf	5000	5000	4800	4100	4100
Min. Height / mm	Hmin	2000	2000	2000	2000	2000
Radius 1 / mm	R1	3465	3035	2610	2170	1750
Radius 2 / mm	R2	3465	3035	2610	2170	1750

*Size may vary and can be adapted to customer needs.