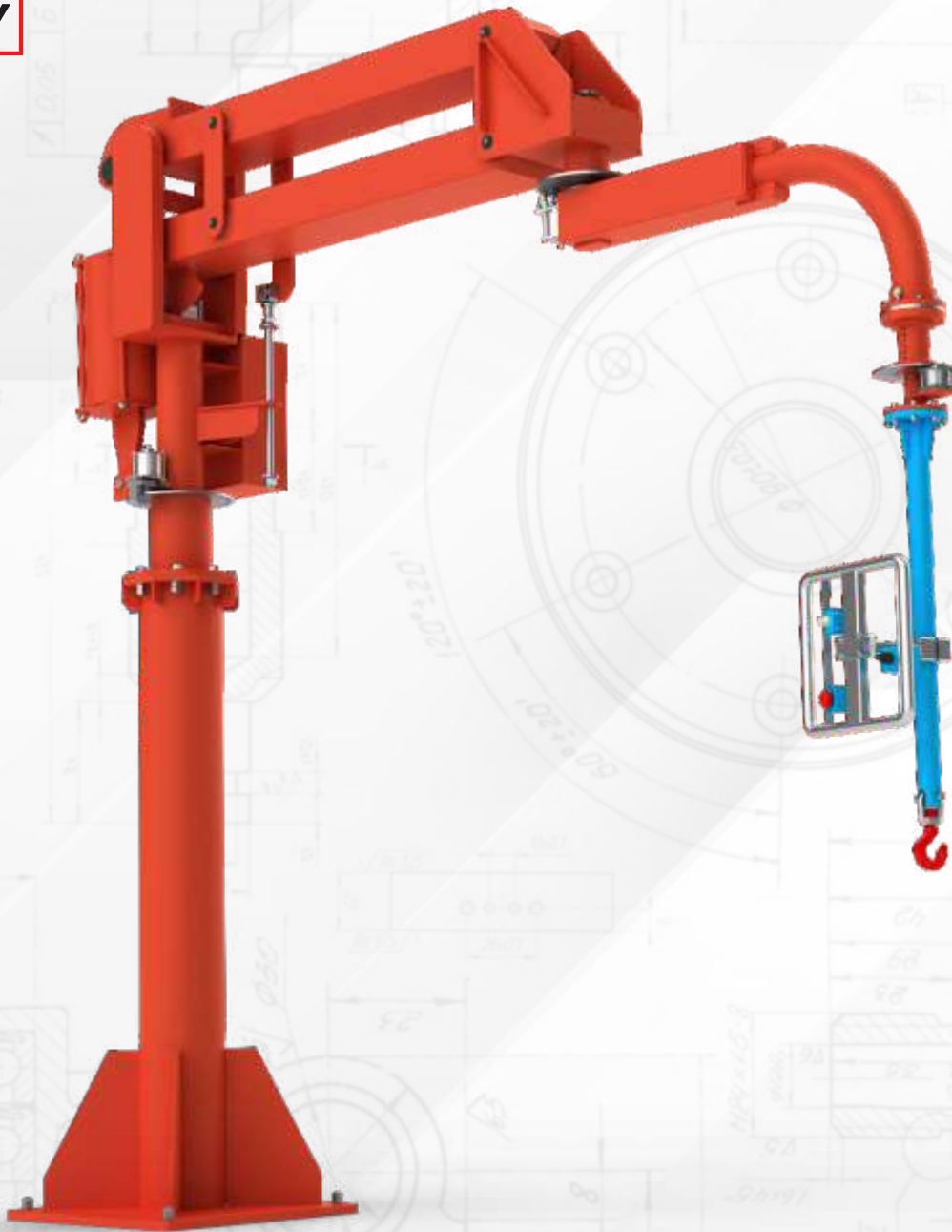




# CRIUS

Rigid Arm  
manipulator

MADE IN  
ITALY



[www.maniflex.eu](http://www.maniflex.eu)

Operating pressure  
 **7** Bar

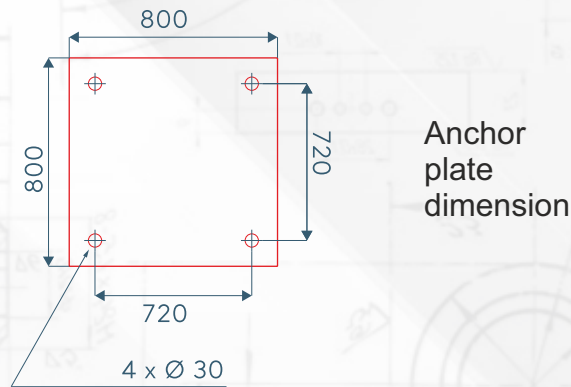
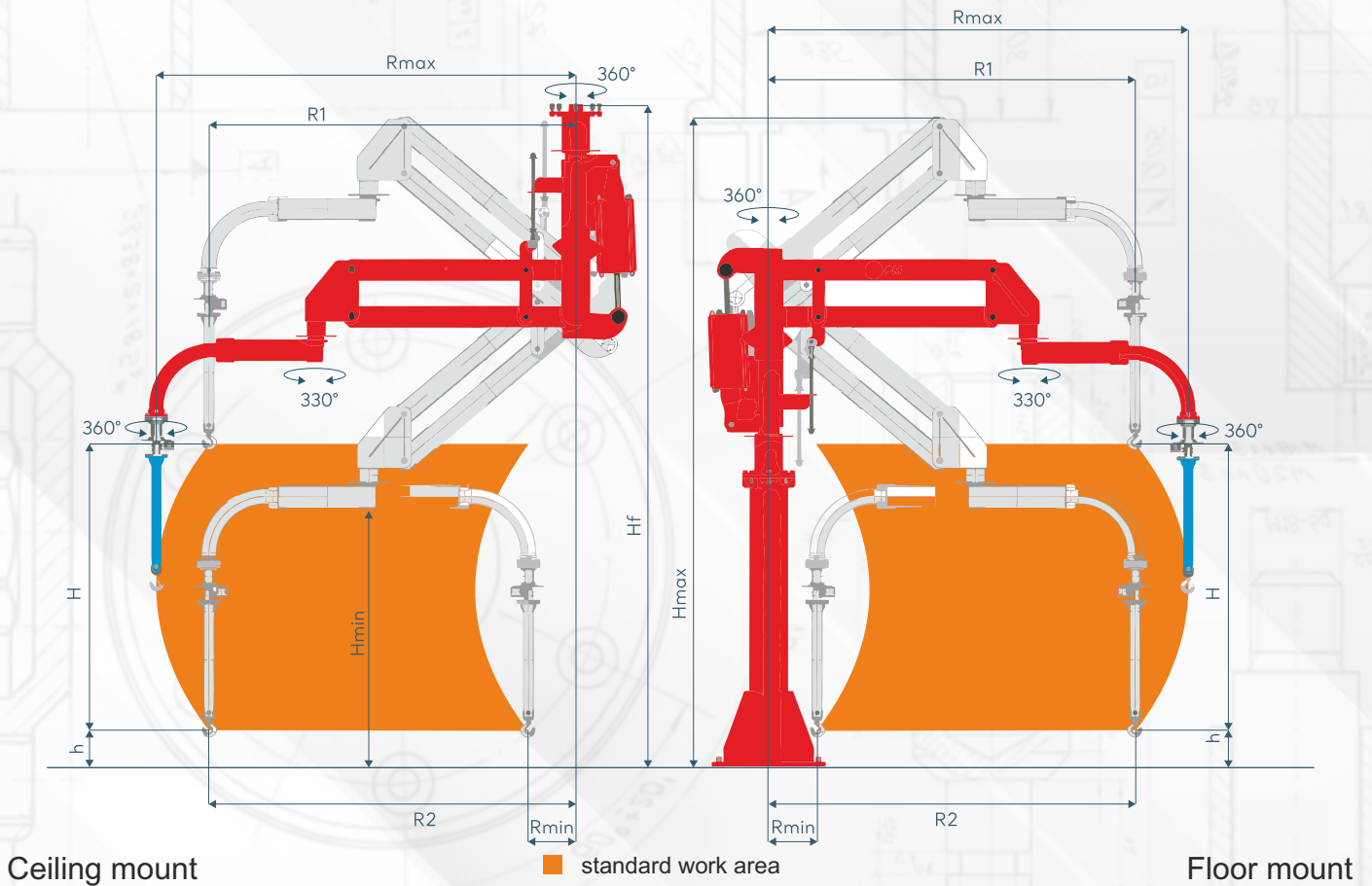
Maximum capacity  
 **750** Kg

Working radius  
 **4500** mm

The Maniflex CRIUS manipulator features a rigid structure with a rotating arm that allows the handling of loads, even large ones, in any direction with great fluidity and precision. It has been designed for application in heavy industry.

The possibility of equipping CRIUS with customized gripping equipment makes this manipulator an extremely versatile tool that can be adapted to multiple industrial needs. The numerous installation options allow it to be easily integrated into any production line or industrial process. CRIUS is synonymous with efficiency, lean work, worker safety and flexibility in handling operations.

# Technical Parameters



## TECHNICAL DATA

**CRUIS**

		240	320	425	570	750
Max. capacity / kg		240	320	425	570	750
Max. working radius / mm	Rmax	4500	4000	3500	3000	2500
Min. working radius / mm	Rmin	1300	1150	1000	850	755
Vertical lift / mm	H	2450	2450	2300	1900	1600
Lowest vertical lifting capacity / mm	h	200	200	200	200	200
Maximum height / mm	Hmax	4950	4755	4560	4370	4215
Max. ceiling height / mm	Hf	5100	5100	5000	4900	4200
Min. Height / mm	Hmin	2000	2000	2000	2000	2000
Radius 1 / mm	R1	3915	3485	3060	2635	2195
Radius 2 / mm	R2	3915	3485	3060	2635	2195

\*Size may vary and can be adapted to customer needs.